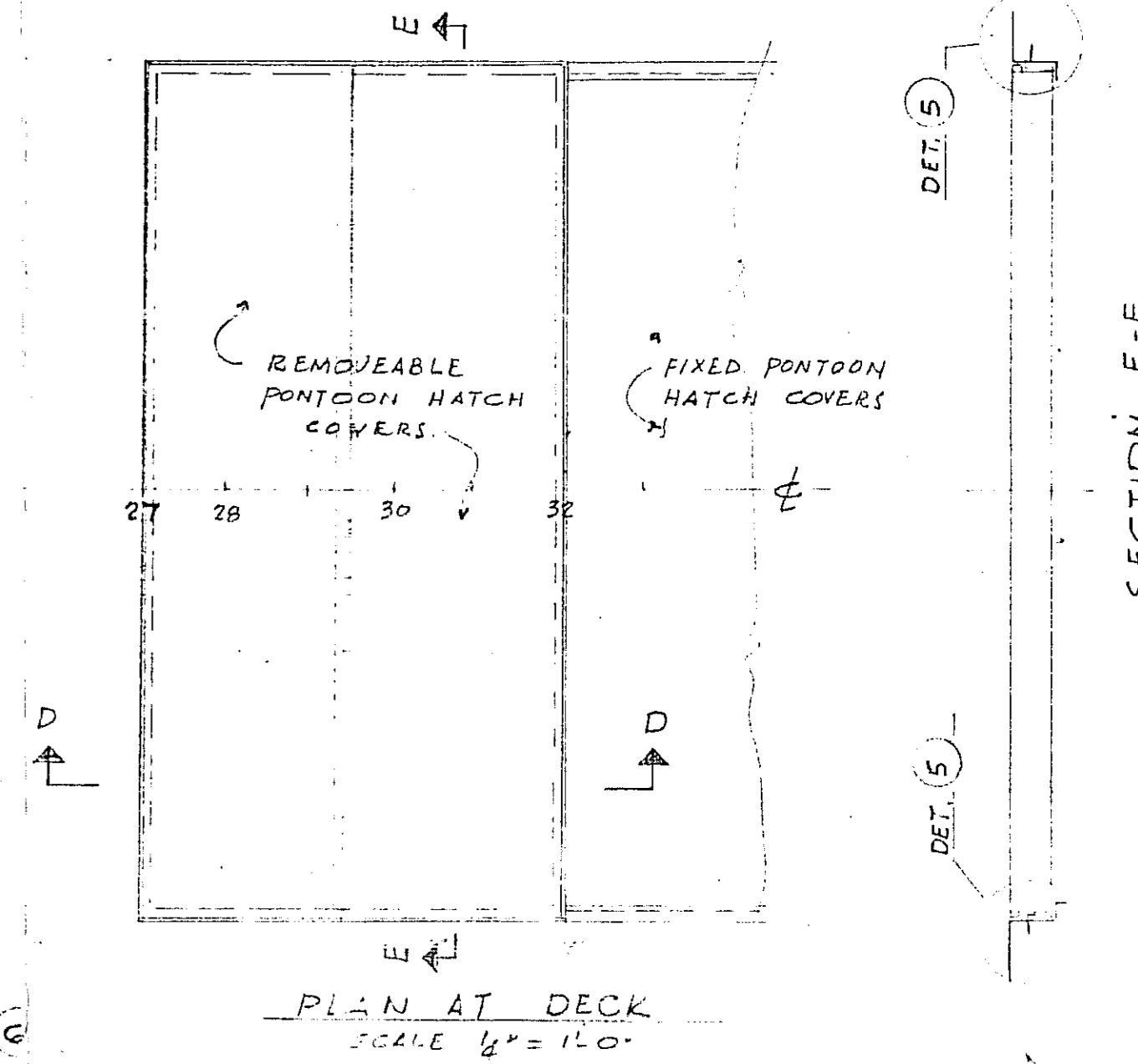
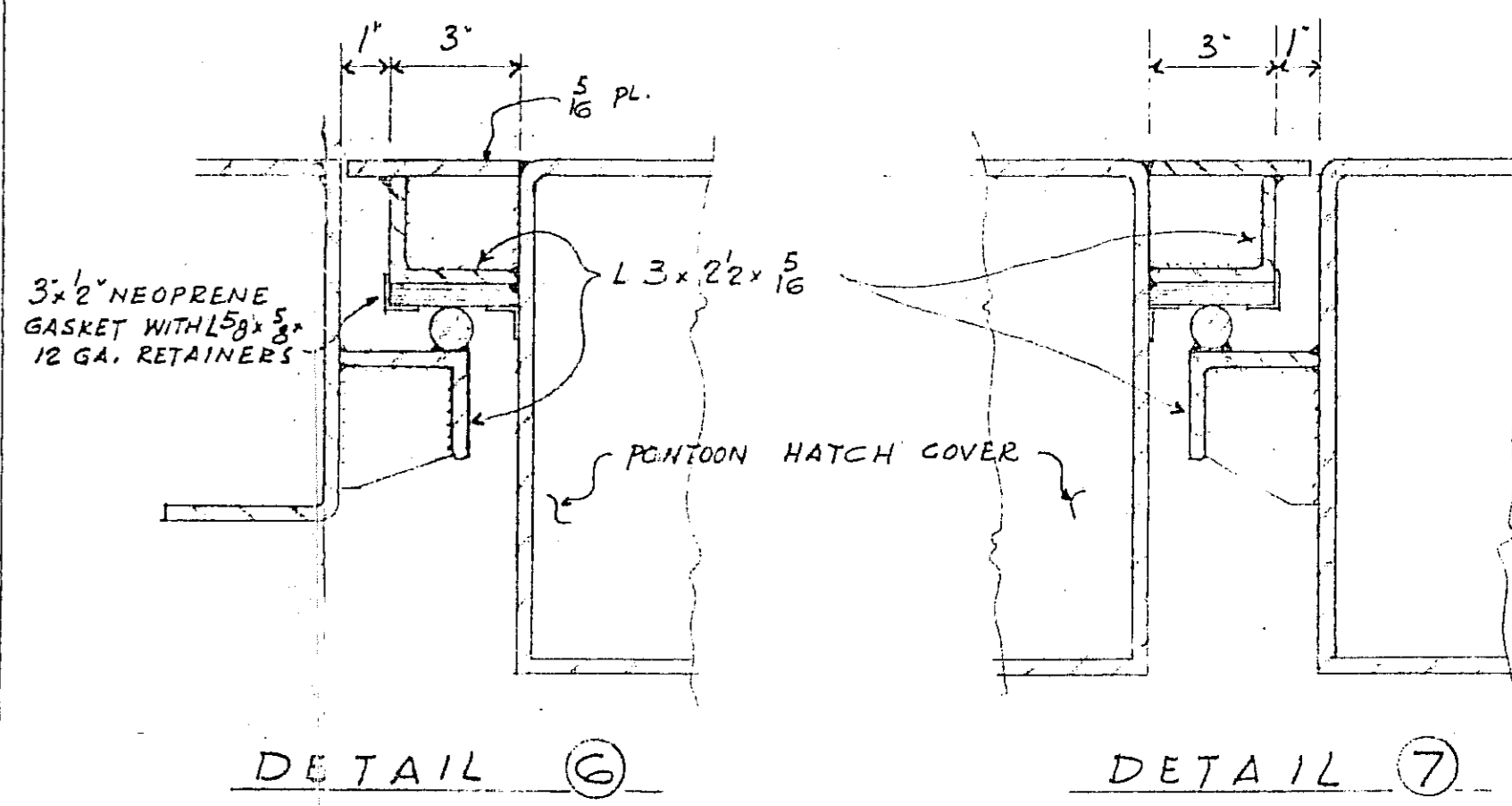
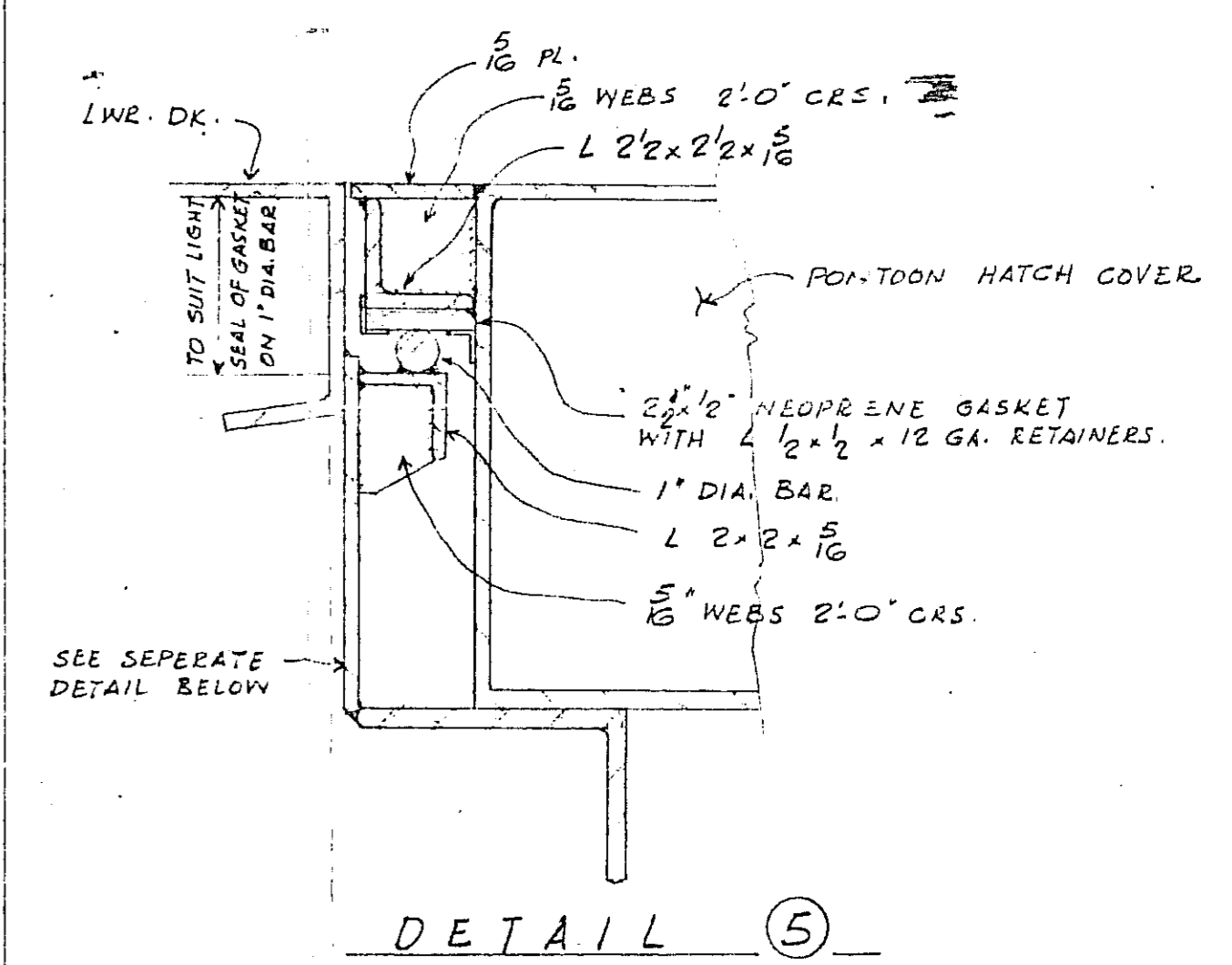
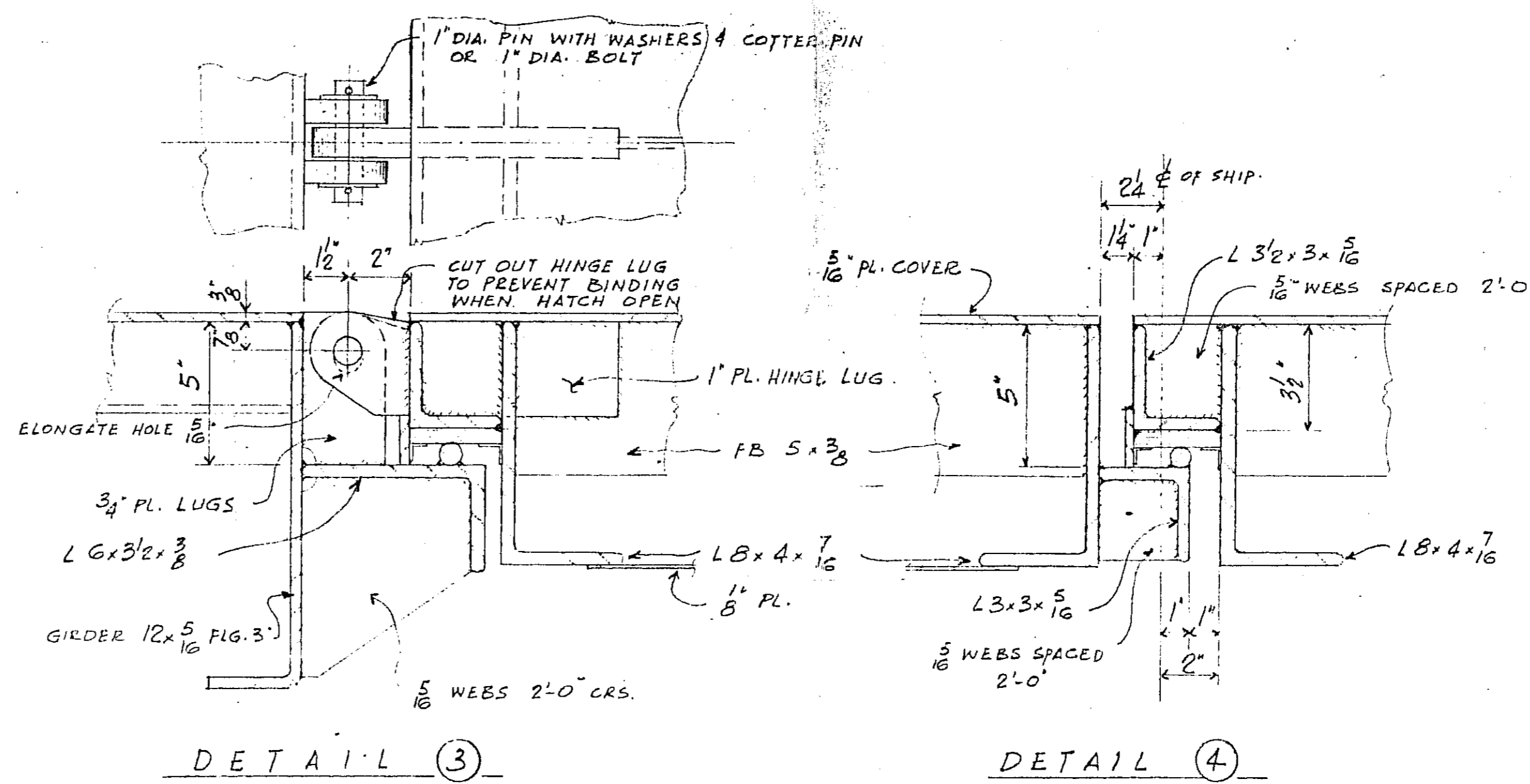
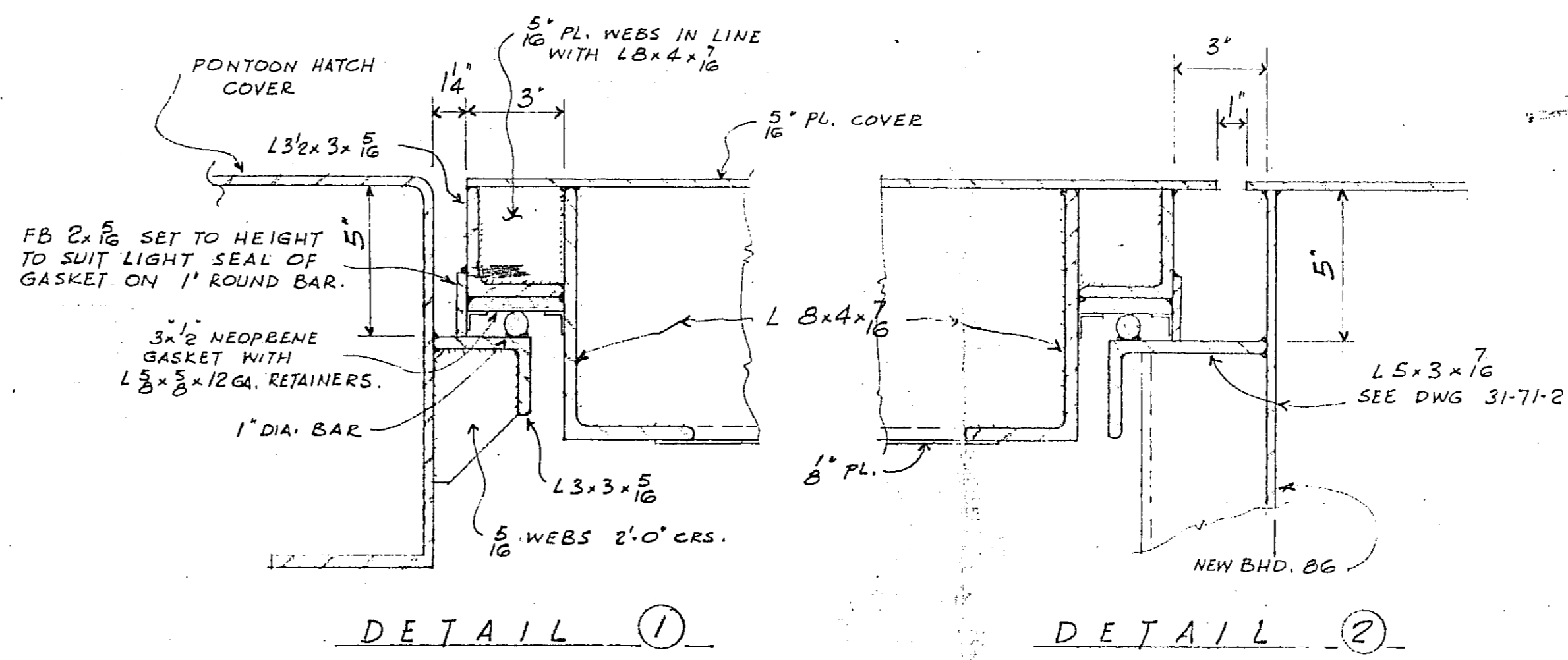
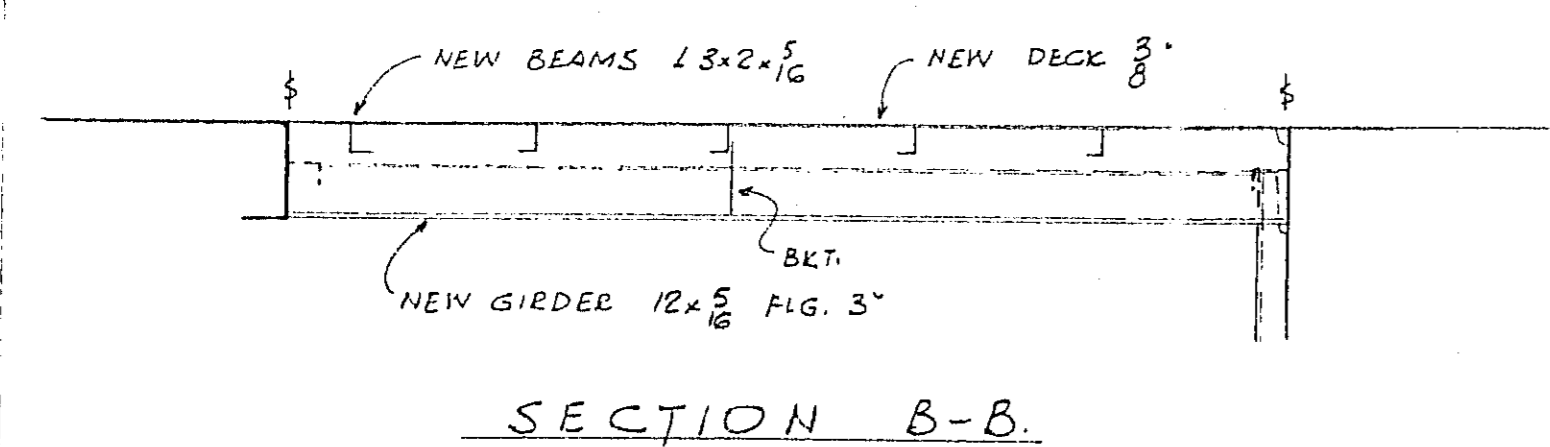
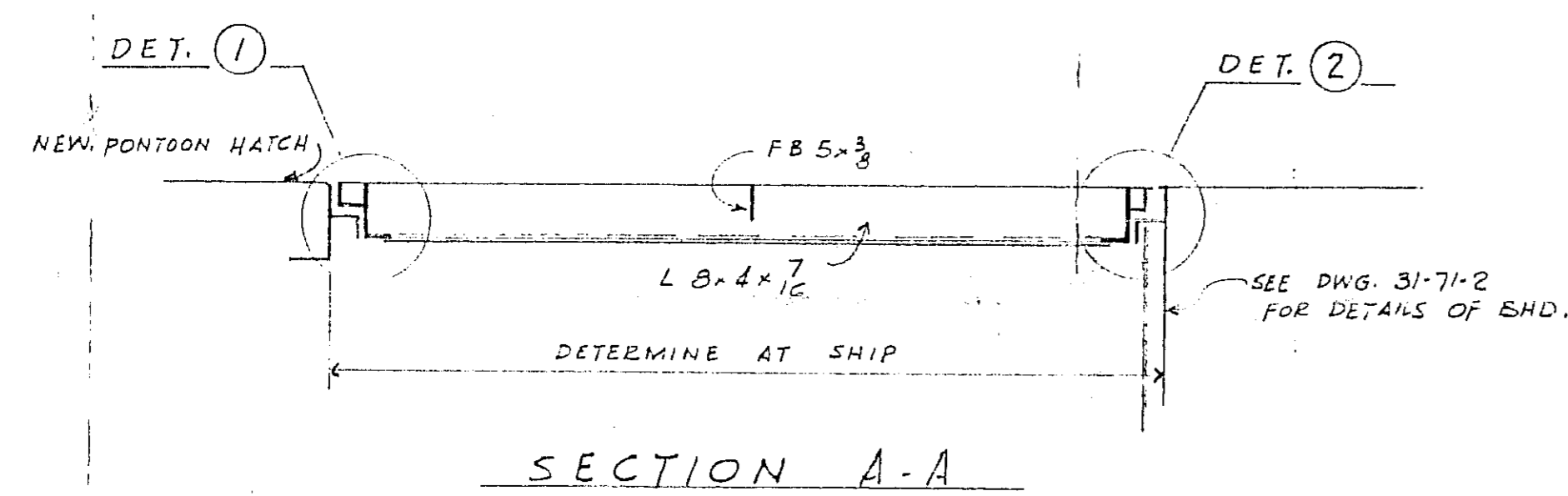


SECTION C-C

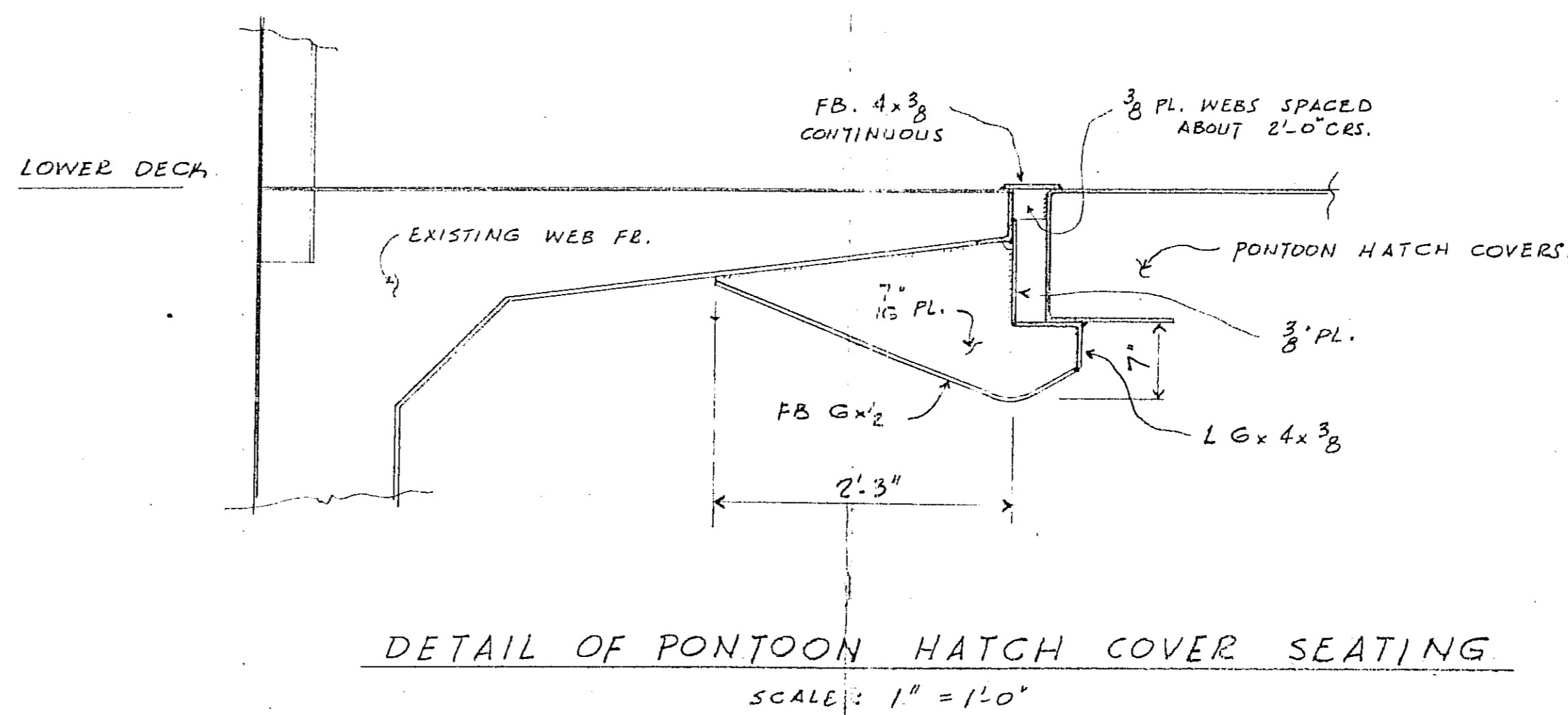


SECTION D-D

LOWER DECK REMOVABLE HATCH COVERS.

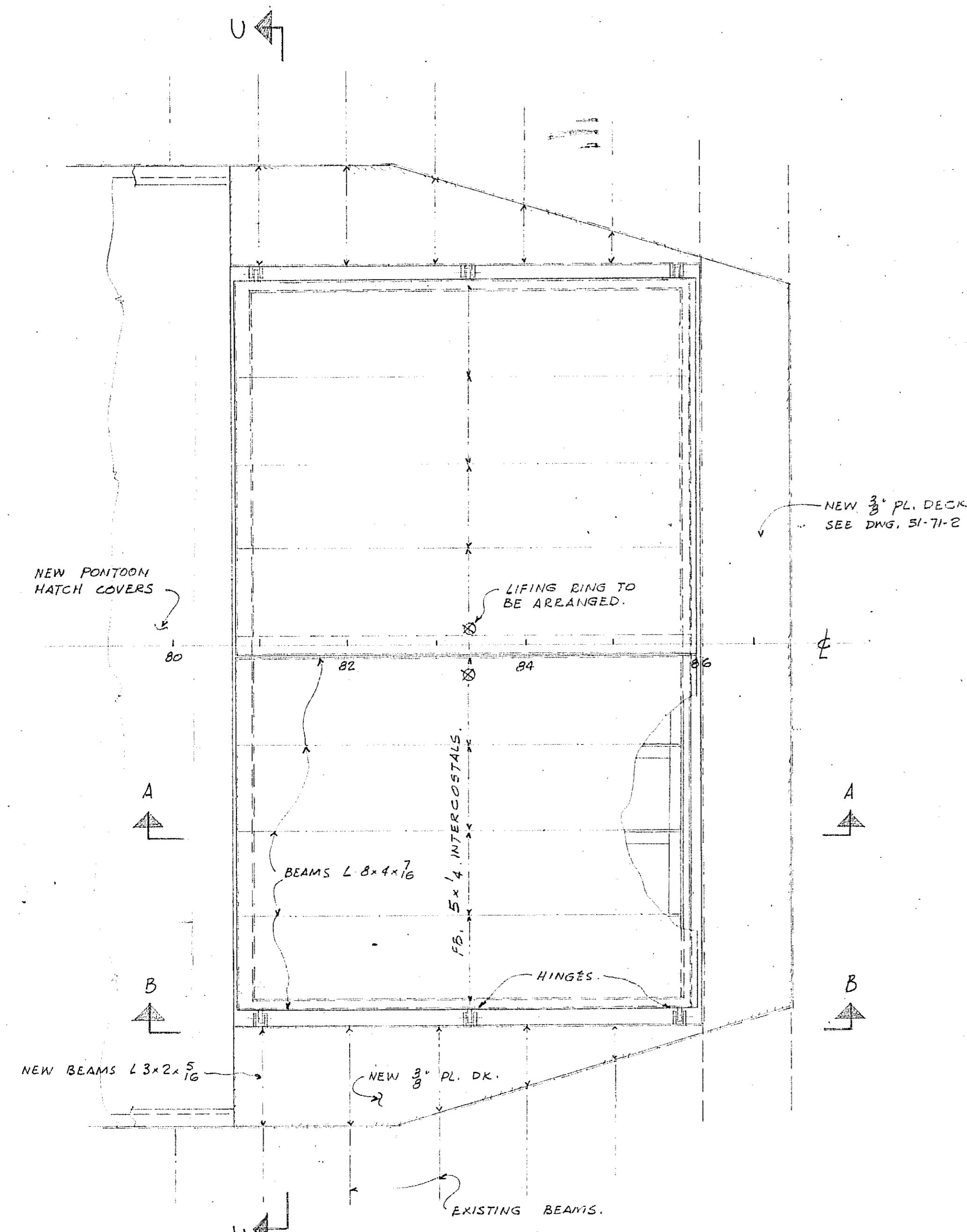


LOWER DK. HINGED HATCH COVERS

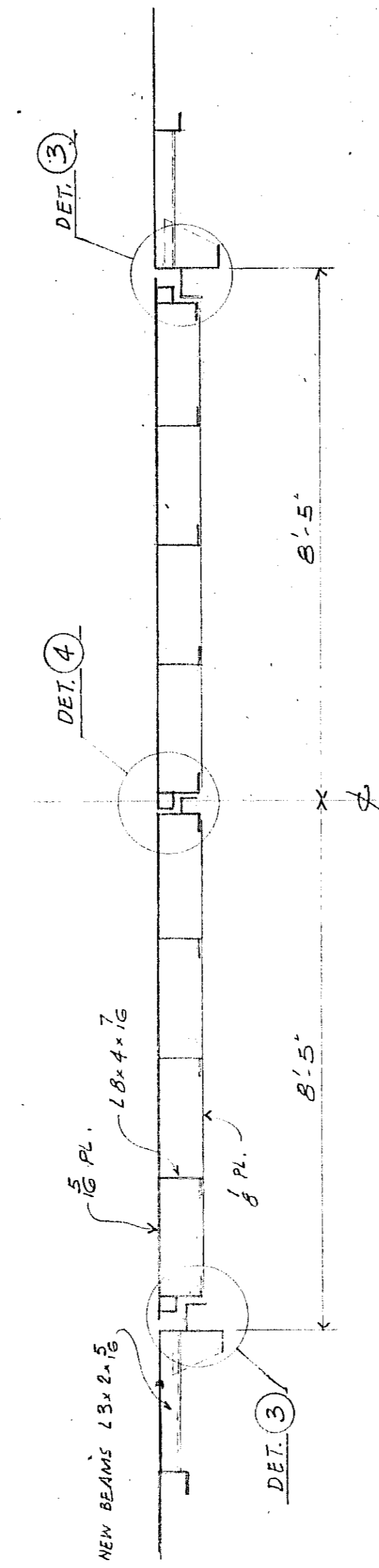


FEB 25 1988

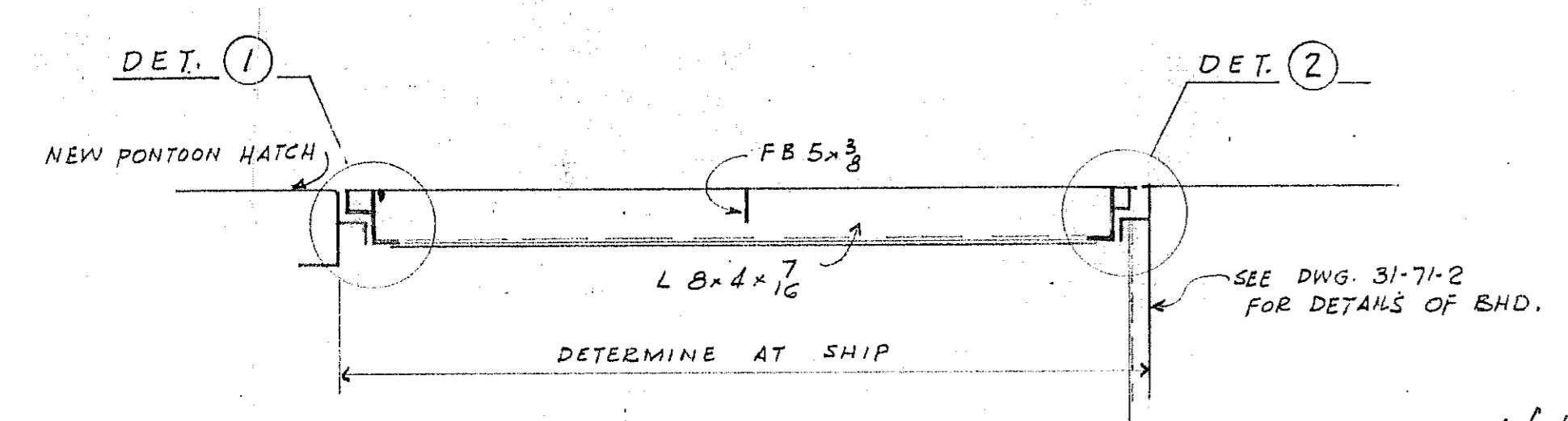
REV. NO.	REVISIONS	DATE
ROBERT ALLAN LTD NAVAL ARCHITECTS MARINE ENGINEERS 1496 WEST 72 AVE VANCOUVER BC		
OWNER	CONTINENTAL EXPLOSIVES LTD.	
VESSEL	MY SIGRID.	
TITLE	HATCH DETAILS.	
APPROVED	DATE	SCALE: AS NOTED.
	DEC. 8, 1971.	DRAWN BY: Q.
		DWG. NO. 31-71-3.



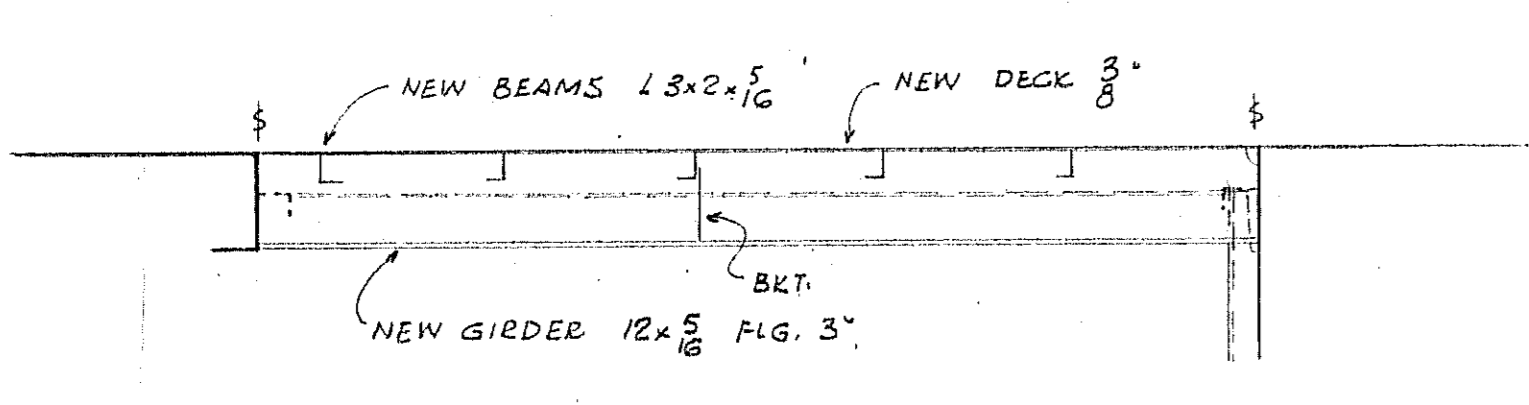
PLAN AT LOWER DECK
SCALE 1/2" = 1'-0"



SECTION C-C



SECTION A-A



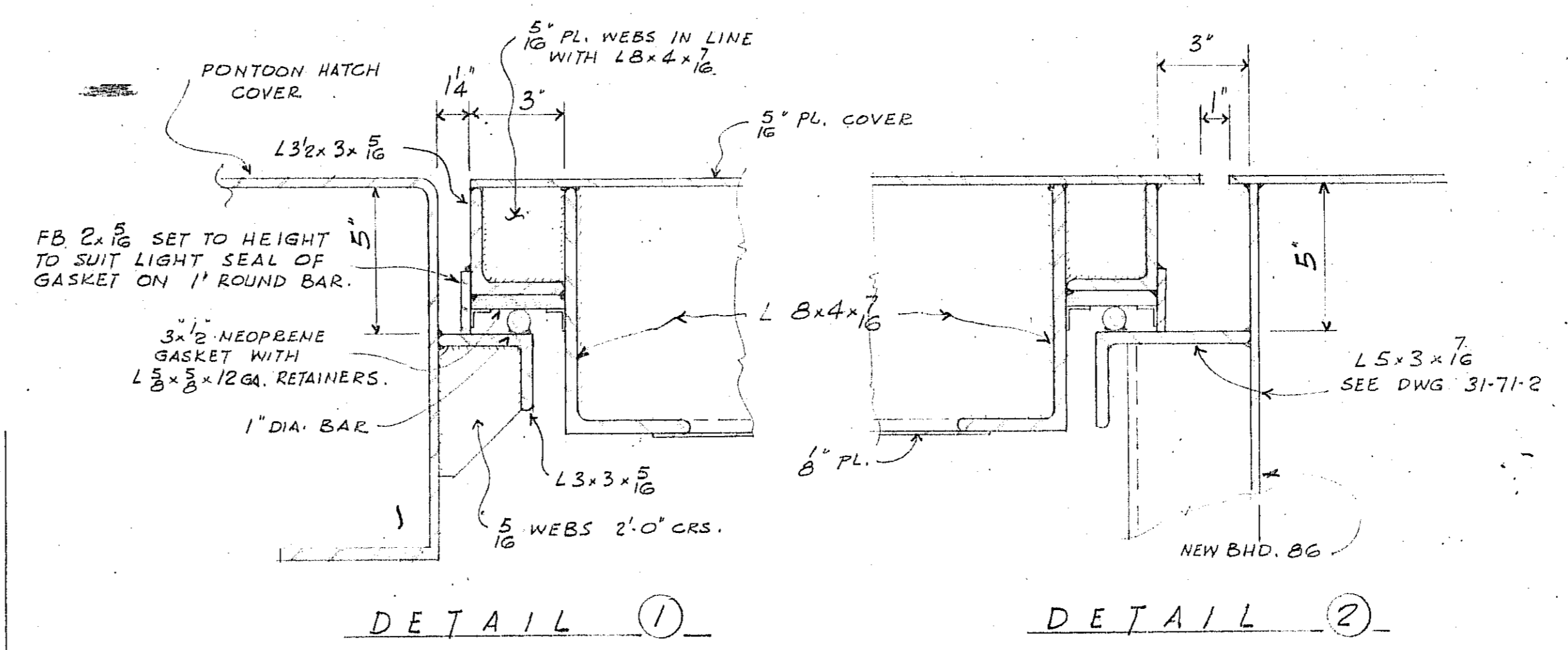
SECTION B-B

LOWER DK. HINGED HATCH COVERS

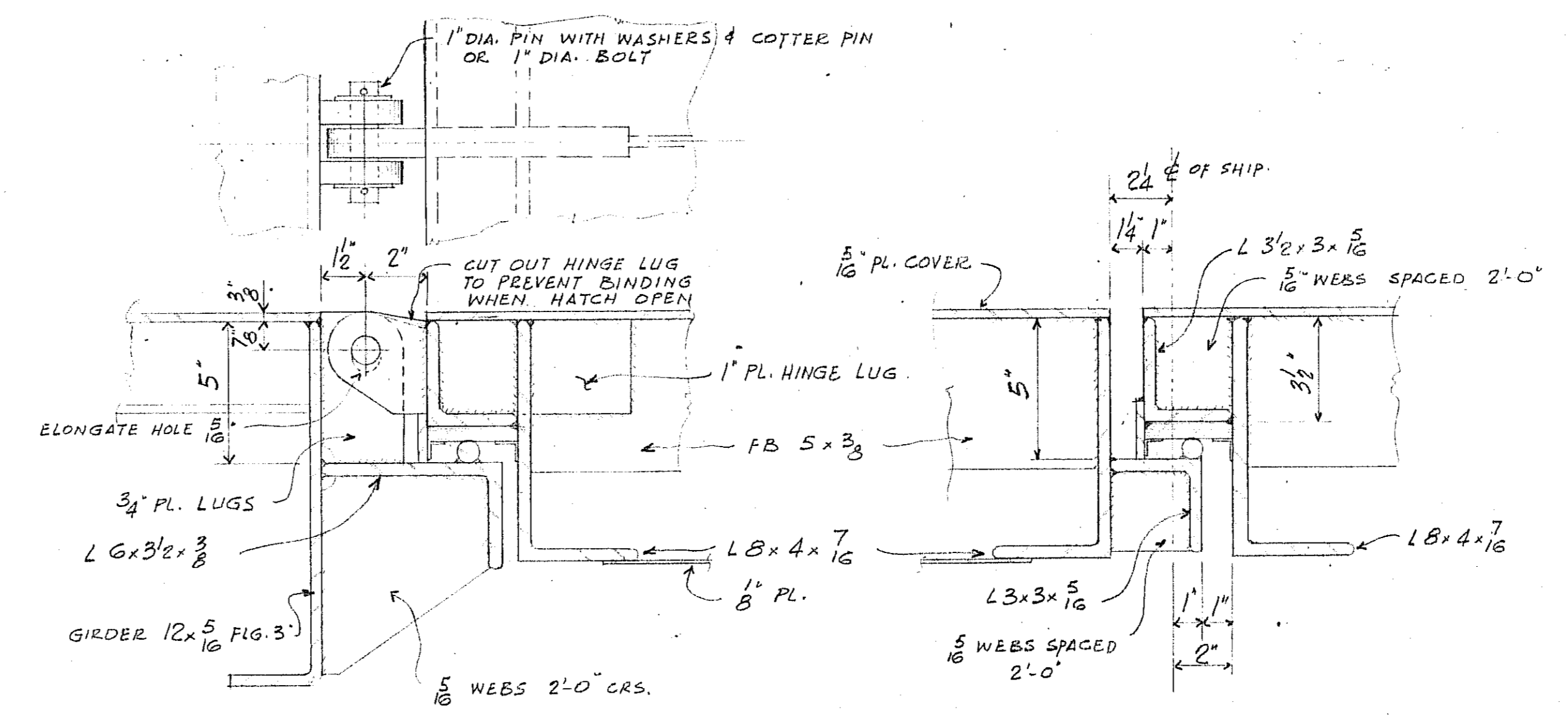
Welding to Surveyor's satisfaction.

Approval based on the following assumed loads:

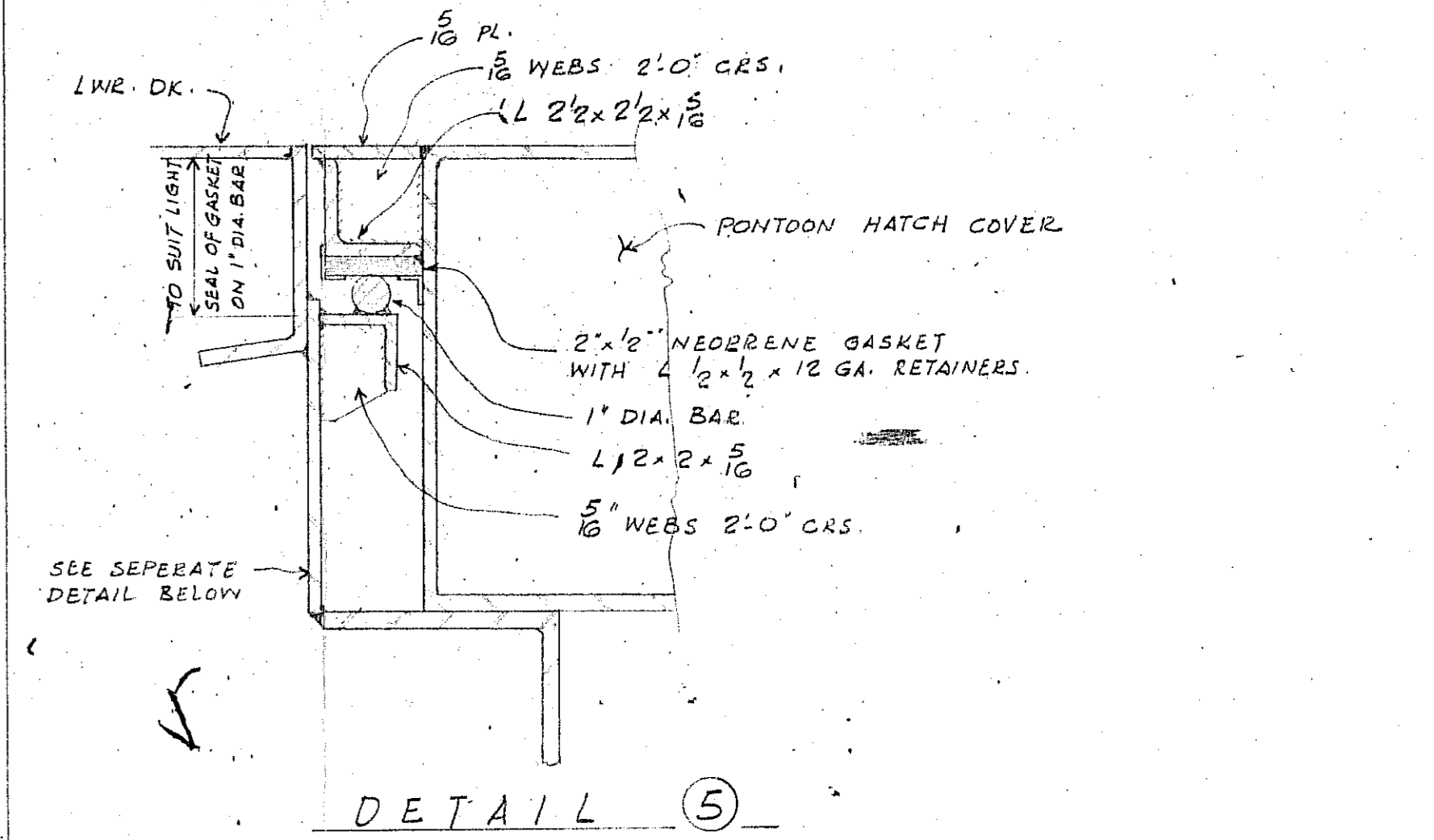
- 205 lb./ft² evenly distributed
- 4 wheel fork lift truck + load = 10,500 lbs



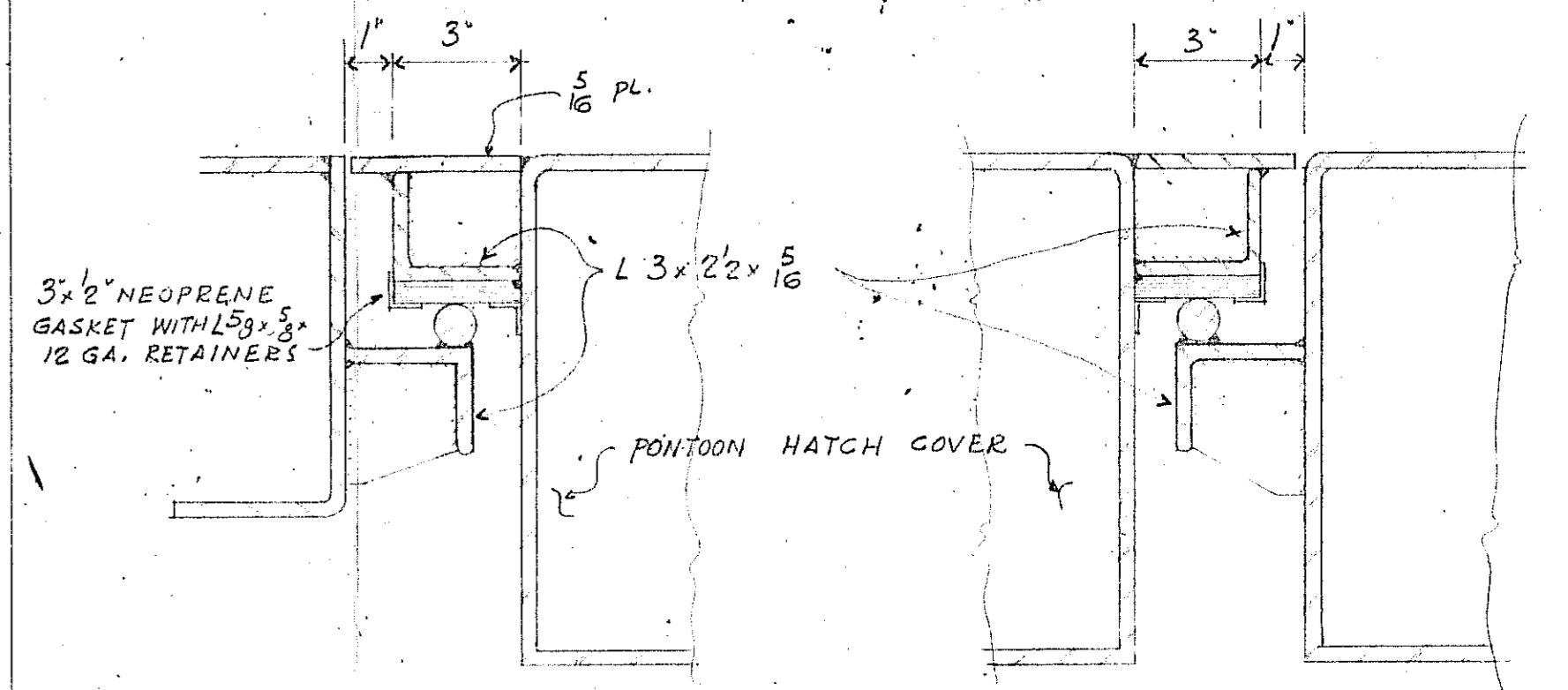
DETAIL 1 DETAIL 2



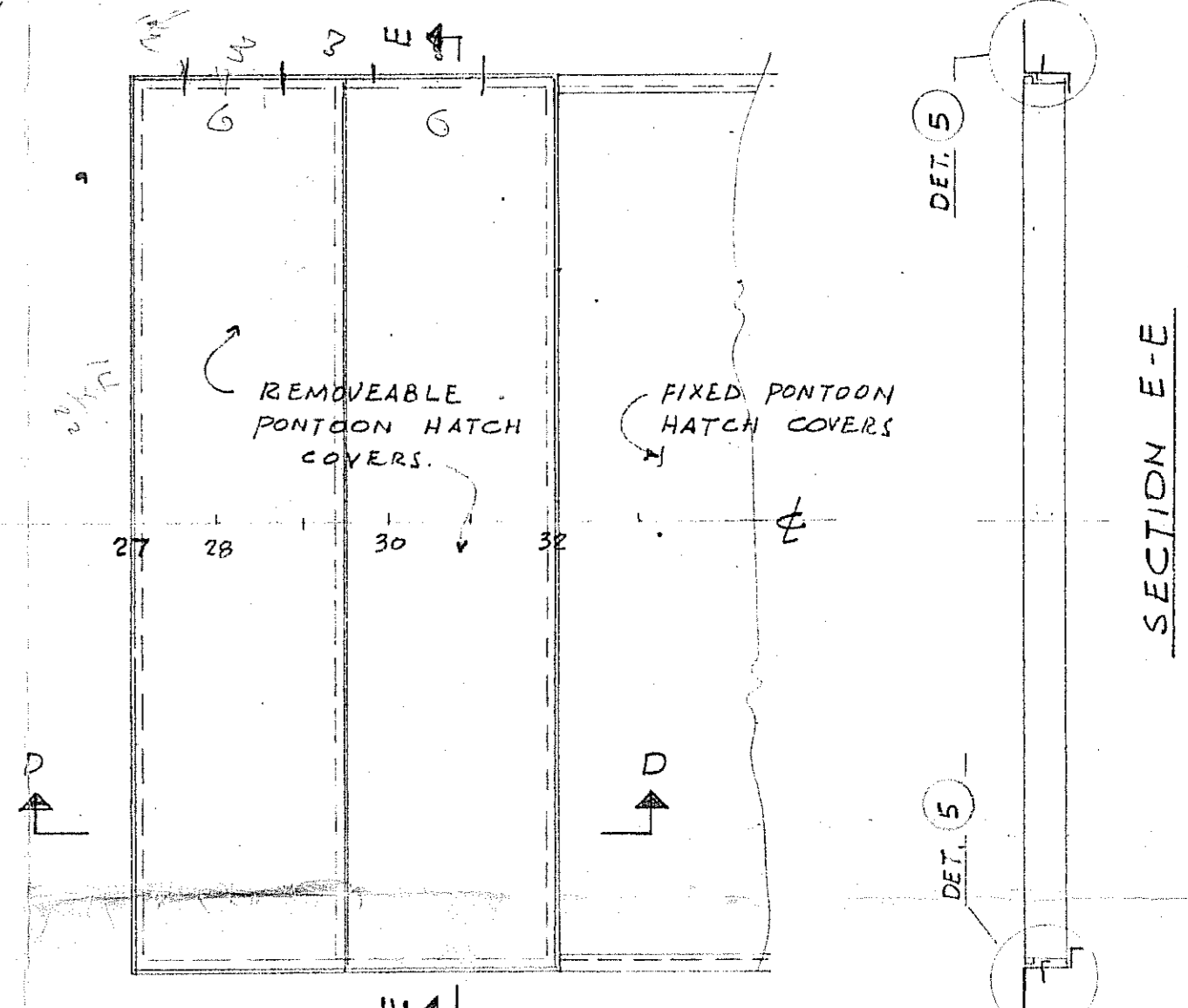
DETAIL 3 DETAIL 4



DETAIL 5

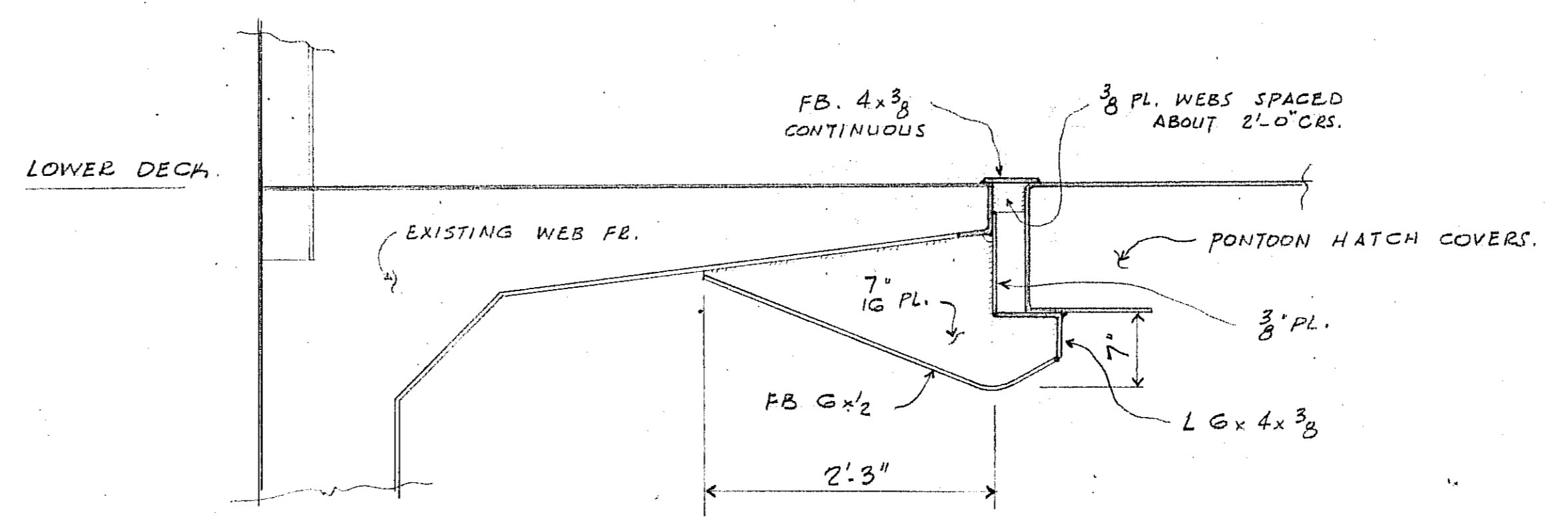


DETAIL 6 DETAIL 7



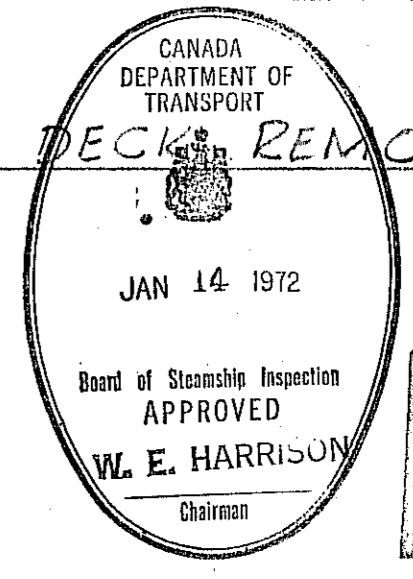
PLAN AT DECK
SCALE 1/4" = 1'-0"

SECTION E-E

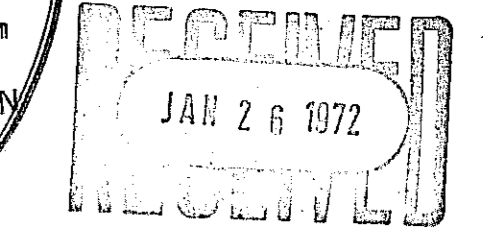


DETAIL OF PONTON HATCH COVER SEATING
SCALE: 1" = 1'-0"

SECTION D-D
LOWER DECK REMOVEABLE HATCH COVERS.



SEE LETTER DATED JAN 14 1972



SUBJECT TO NOTATION IN RED

REV. No.	REVISIONS	DATE
ROBERT ALLAN LTD NAVAL ARCHITECTS MARINE ENGINEERS 1496 WEST 72 AVE VANCOUVER BC		
OWNER: CONTINENTAL EXPLOSIVES LTD.		
VESSEL: MV SIGRID		
TITLE: HATCH DETAILS		
APPROVED:	DATE:	SCALE: AS NOTED.
	DATE: DEC. 8, 1971.	DWG. No. 31-71-3.