

ULTRASONIC
THICKNESS READINGS

480"
480"

500"
500"

615"
620"

620"
625"
620"

SCALE: 1/4" = 1'-0"

TWO 1 1/8" DIA. STAYS
EACH SIDE

FORWARD
MAST

FITTINGS FOR
15-TON BOOM NOT SHOWN
AS EQUIPMENT NOT IN USE

VENTILATORS 1 1/2"

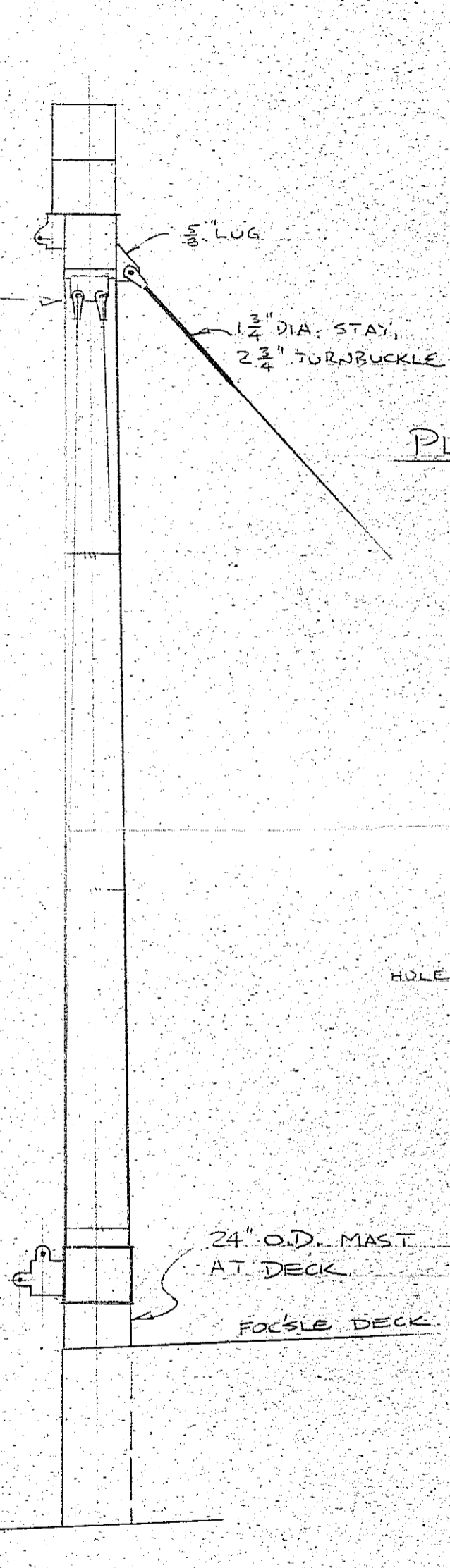
GOOSENECK
FITTING

2 1/2" TURNBUCKLES

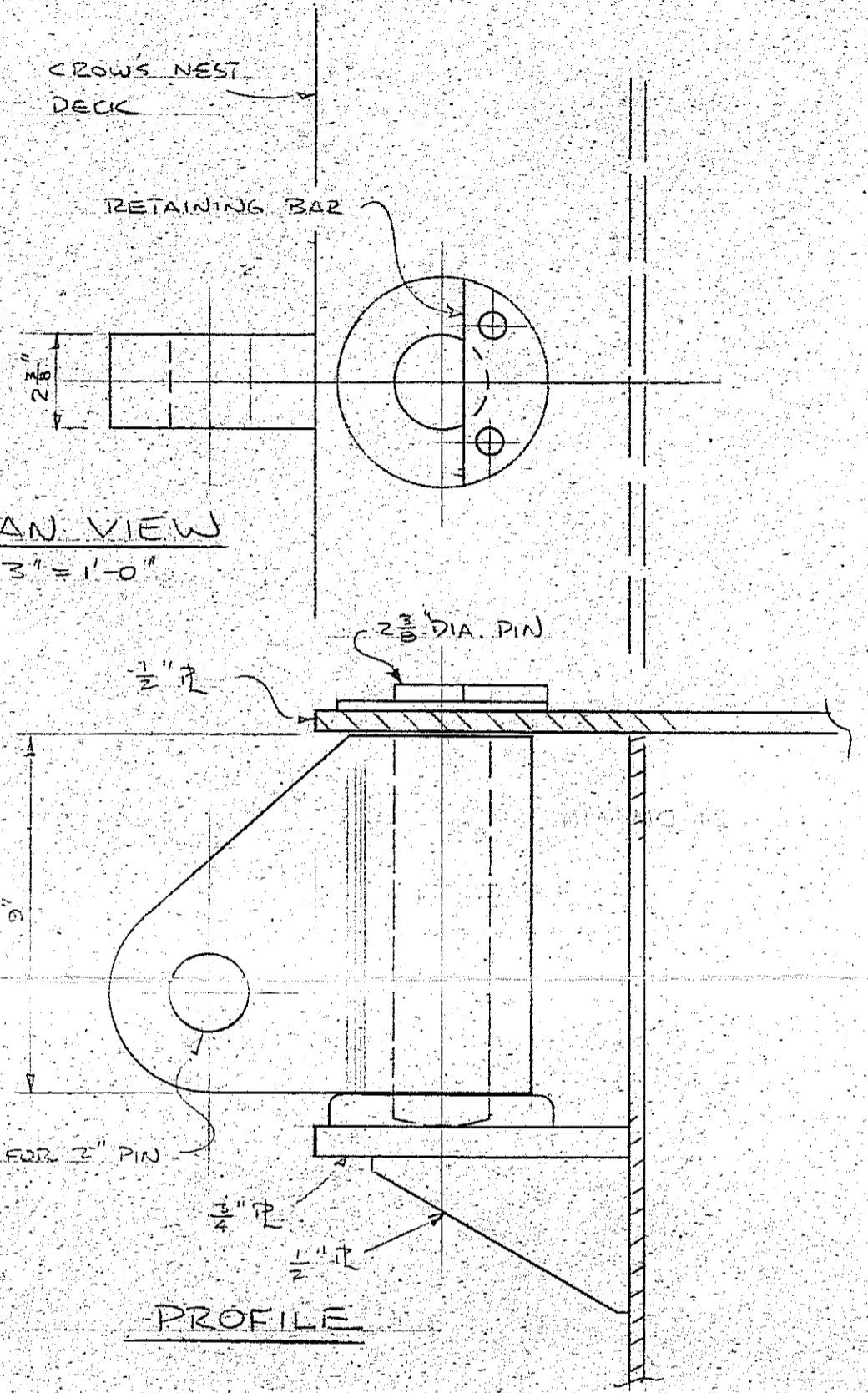
FOCSLE DECK

MAIN DECK

VIEW LOOKING FORWARD



SECTION A-A
(LOOKING TO PORT)



PLAN VIEW
3" = 1'-0"

PROFILE

TOPPING LIFT
SWIVEL FITTING

M.V. "KLASSEN" FEB 25 1988
 SKETCH OF FORWARD MAST
 ROBERT ALLAN LTD. MARCH 21/78
 DRAWING 26-78-3