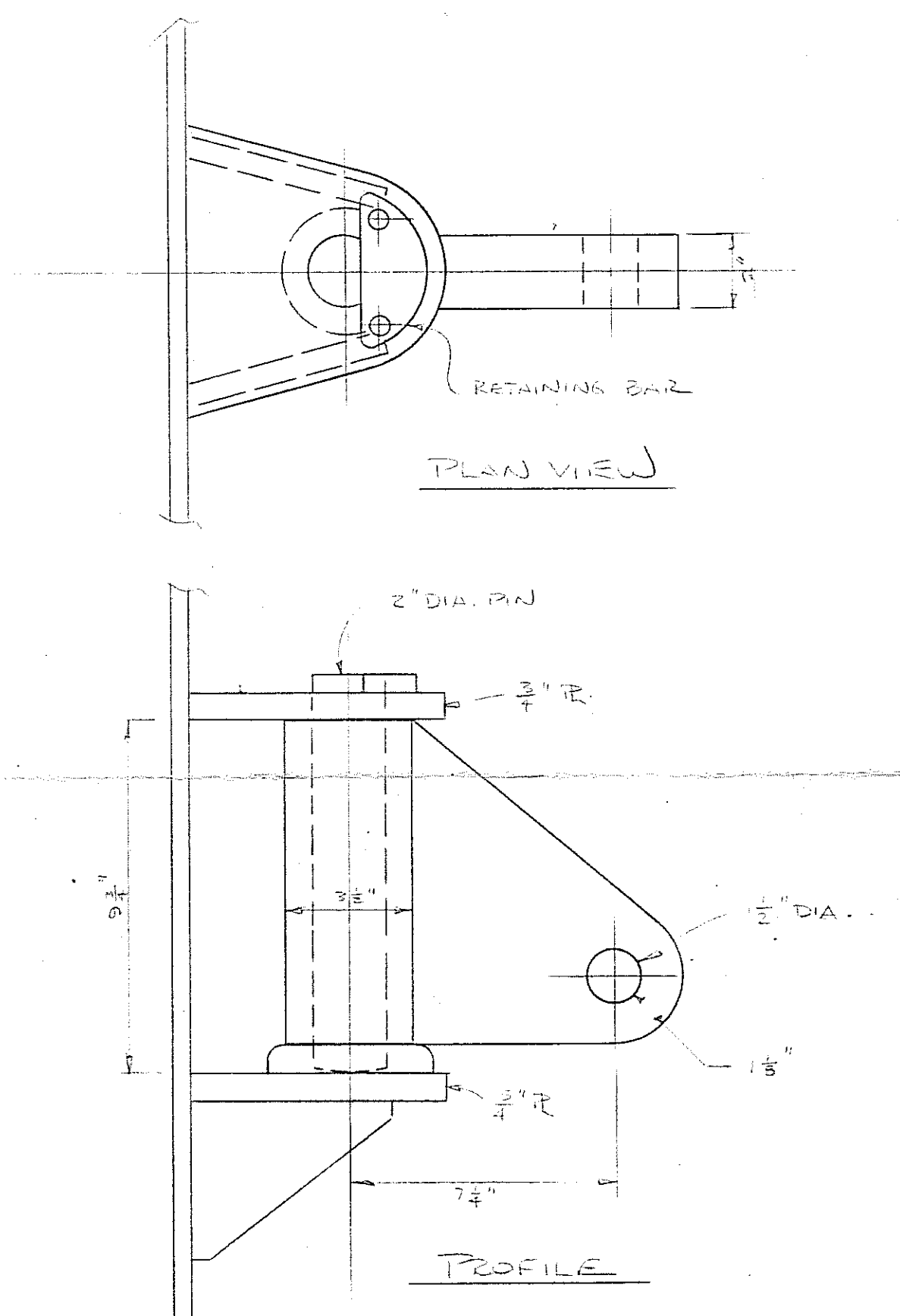
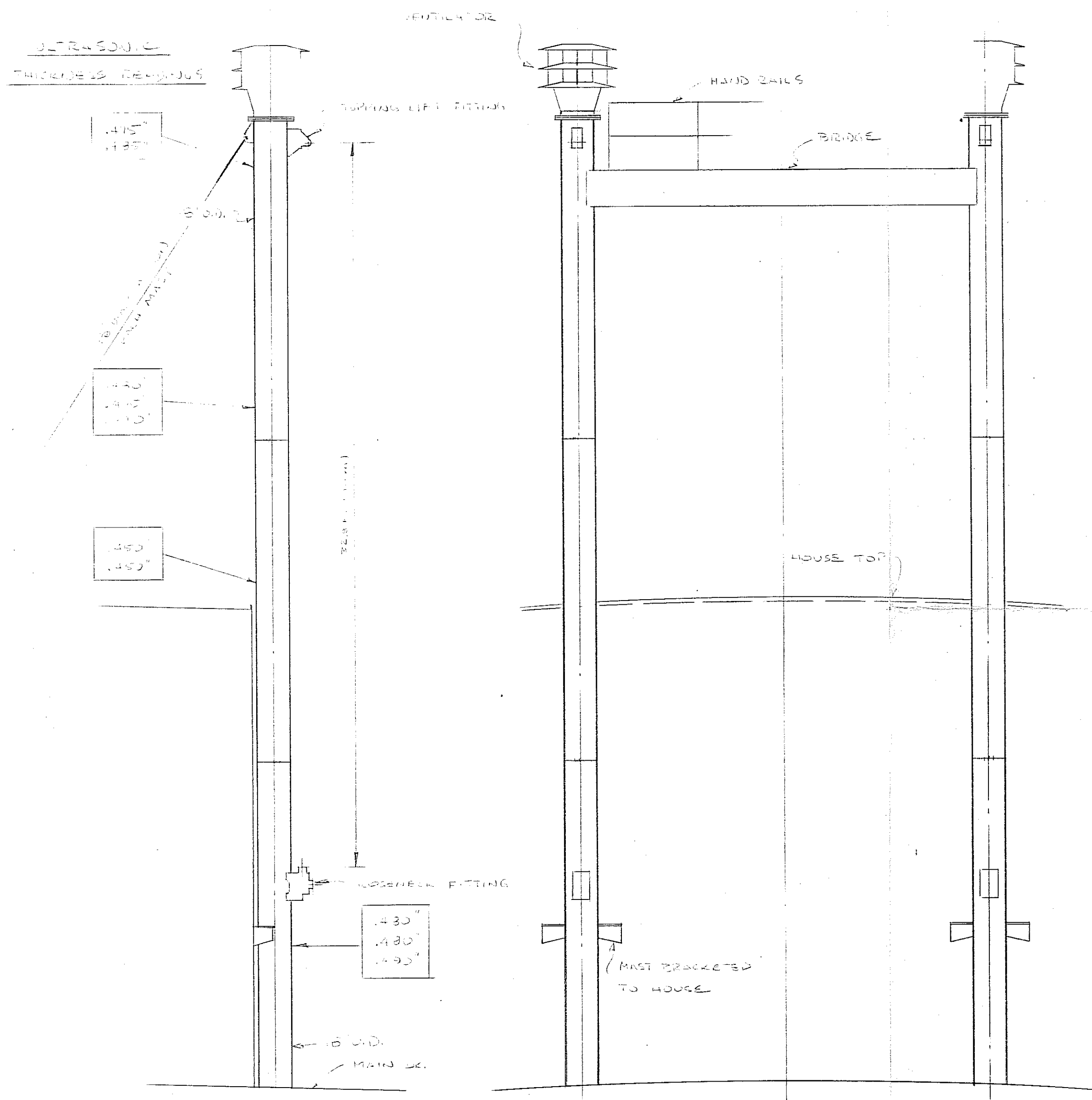


M.V. "KLASSEN"  
SKETCH OF AFT MASTS

ROBERT ALLAN LTD APRIL 20/78

DRWG. 26-78-5



TOPPING LIFT FITTING.  
3" x 1'-0"

PROFILE

VIEW LOOKING AFT

AFT MASTS  
SCALE: 1/4" = 1'-0"