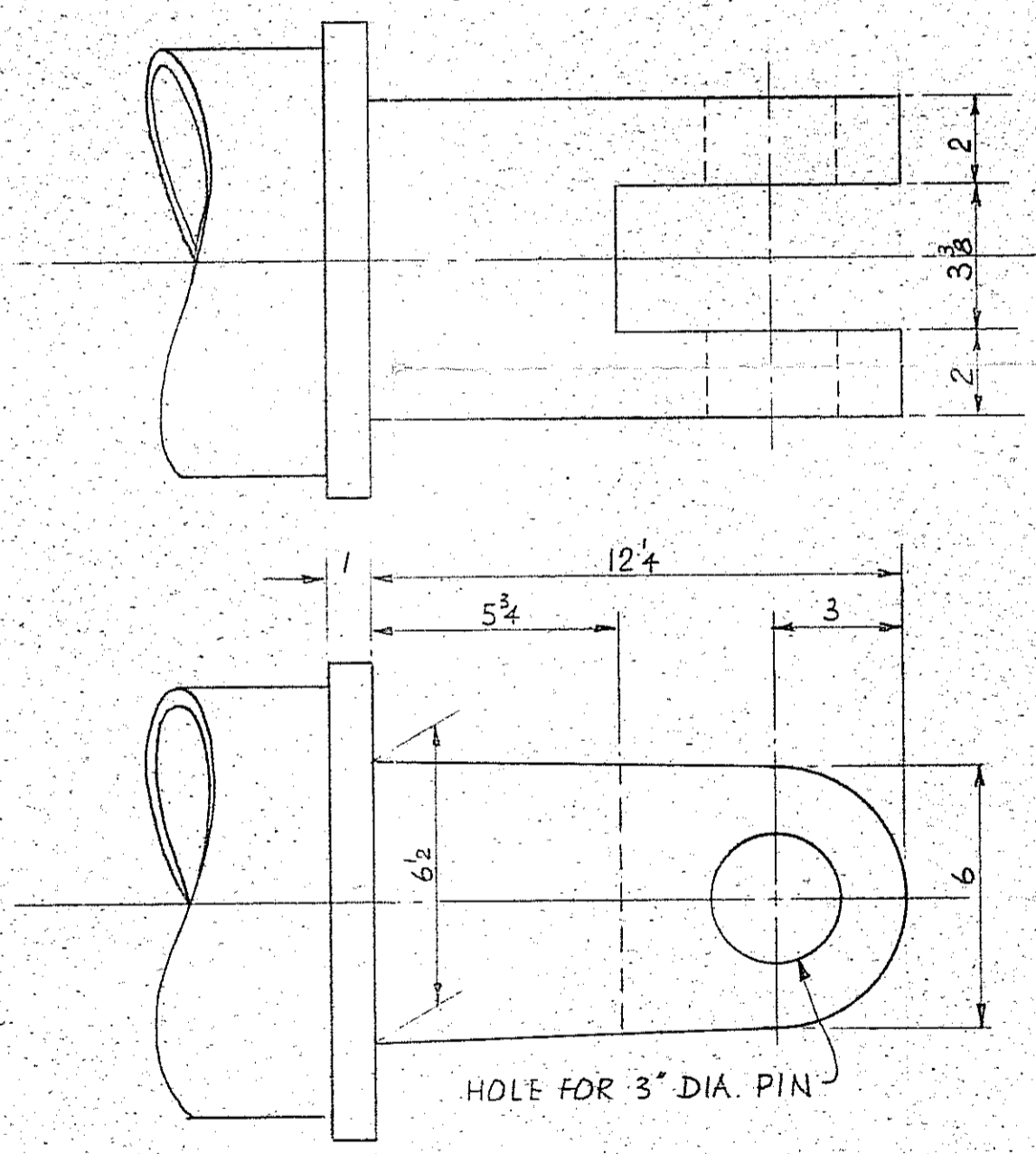


ULTRASONIC THICKNESS READINGS

SCALE : 1/4" = 1'-0



INBOARD END

SCALE : 3" = 1'-0

SEE DRWG. 26-78-7 FOR OUTB'D. END

M.V. "KLASSEN"
 SKETCH OF 15TON BOOM

ROBERT ALLAN LTD.

MAY 3/78

DRWG. 26-78-8

FEB 25 1988